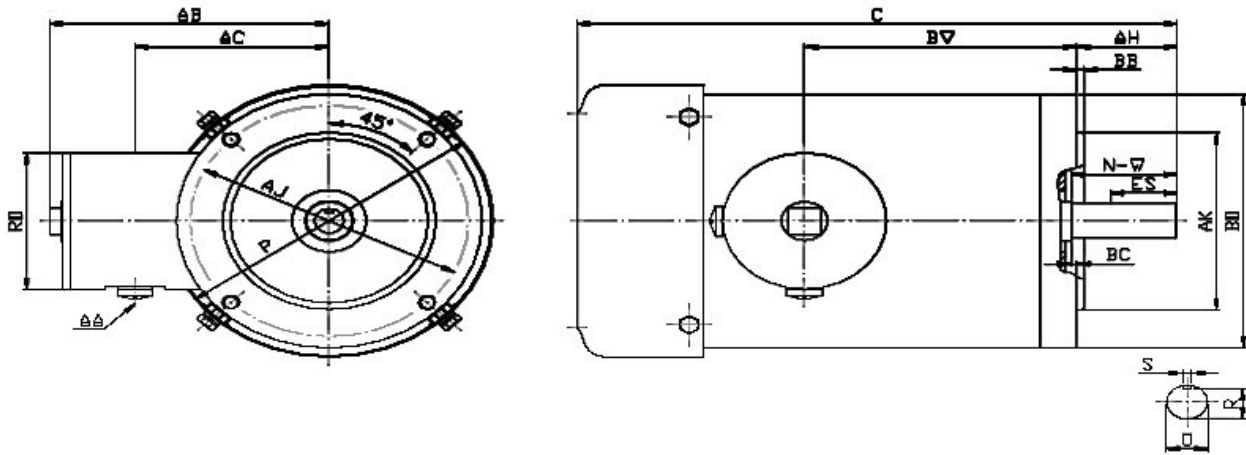


Premium Efficient (SSPE12-18-56CRD) Motor



DIMENSION - INCHES

FLANGE MOUNTING						C	P	T	AB
AK	BD	AJ	BF	BB	BC				
4.5	6.45	5.875	4*3/8-16	0.16	-0.19	11.59	6.95	N/A	5.95

SHAFT & KEY					
S	ES	R	N-W	U	AH
0.188	1.41	0.517	1.88	0.625	2.06

TERMINAL BOX				
AA	AB	AC	RD	BV
1/2 NPT	5.95	4.5	3.45	4.75



Electrical Helper.org

For All Your Electric Needs Since 1928
411 N Platte Ave. York, NE. 68467

**AC-DC MOTORS :: SALES & SERVICE
REWINDING :: CUSTOM CONTROL PANEL**

Kelly MacMillan
Office Ph: 888-226-4917
Fax: 888-226-4917
Cell: 402-679-1579
E-Mail: kelly@electricalhelper.com

